

Fig.1

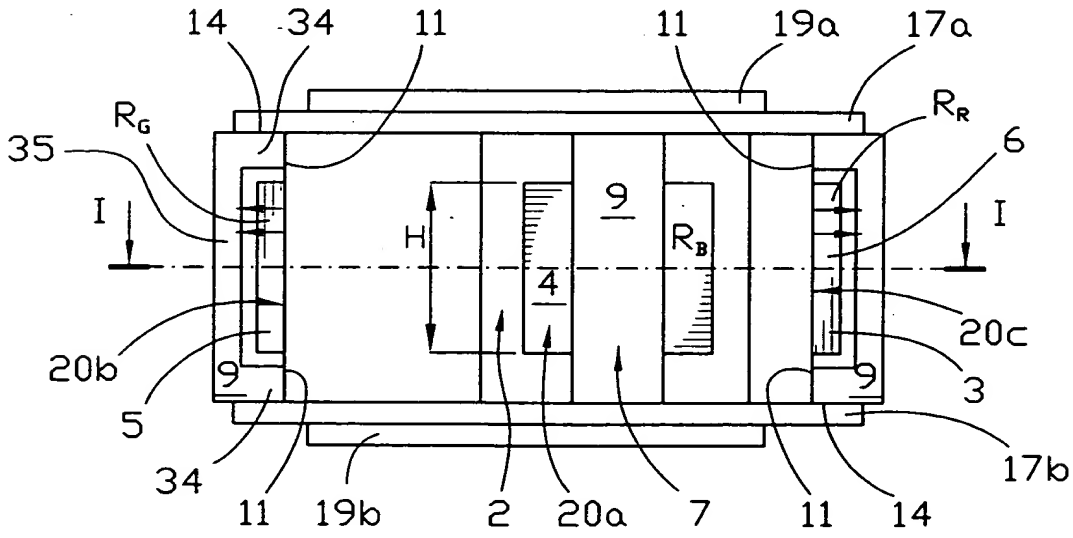


Fig.5

FOIT 90" 89282860

FOOTPRINT 89282850

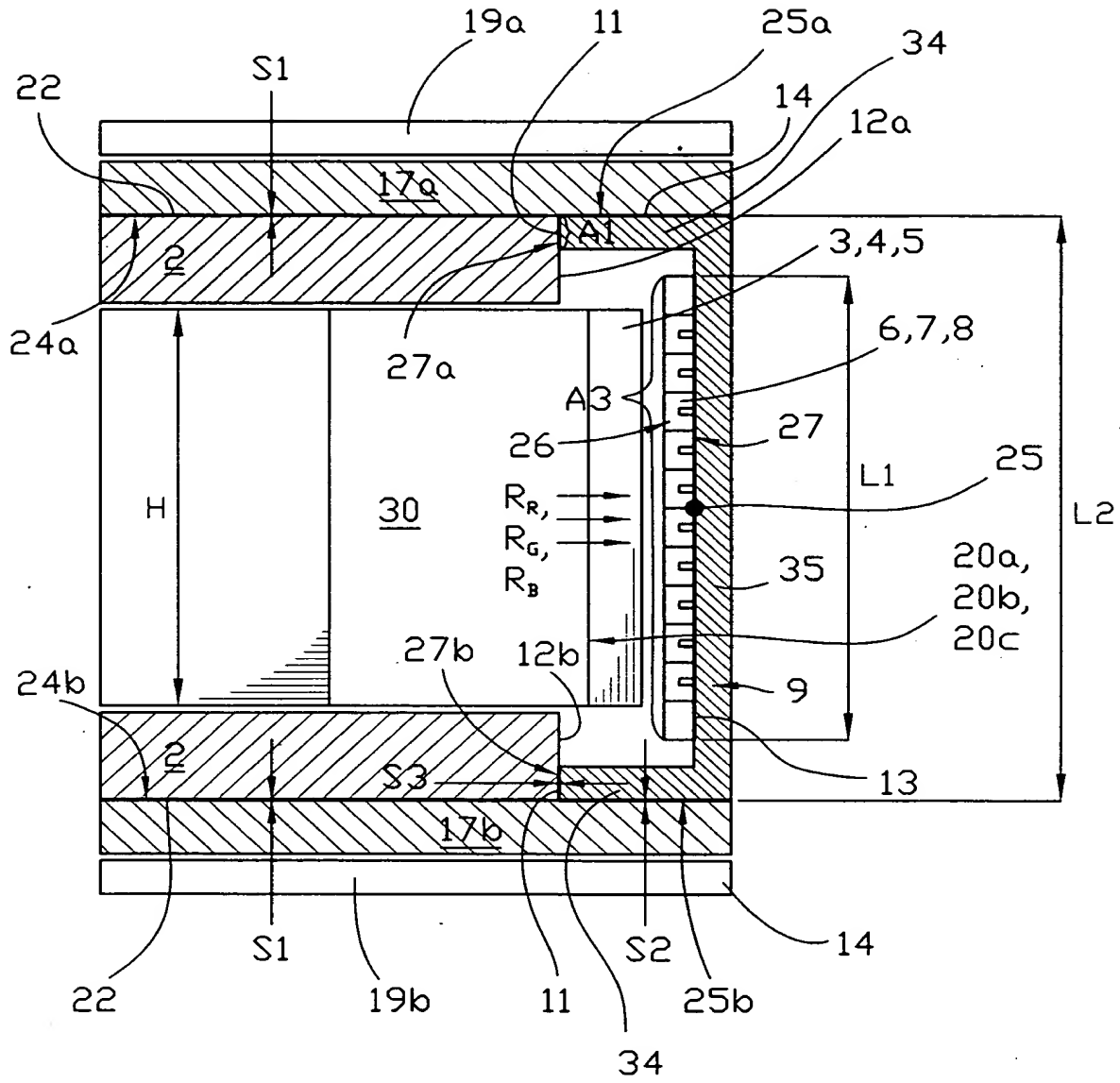


Fig.2

3/4

FIG. 3

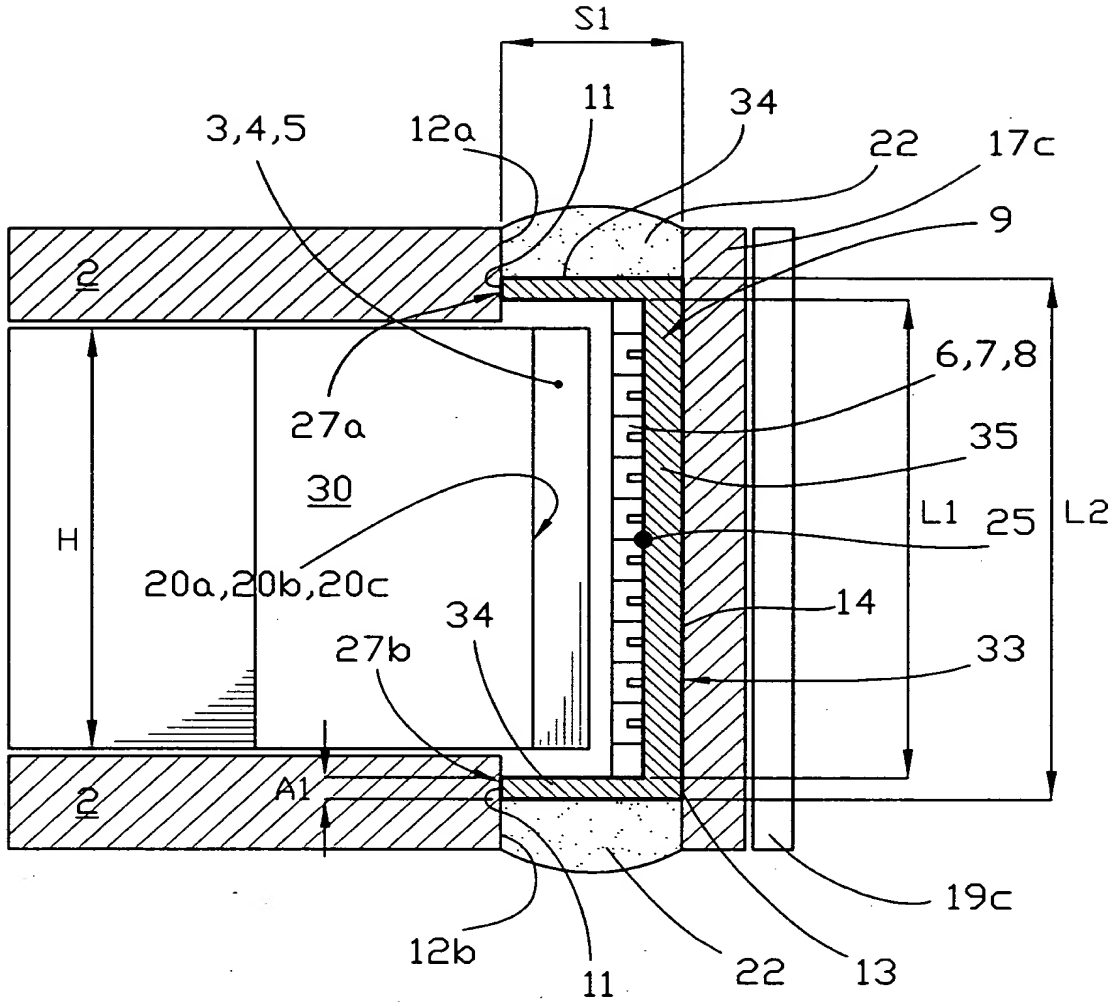


Fig.3

FOFFSO" 89282860

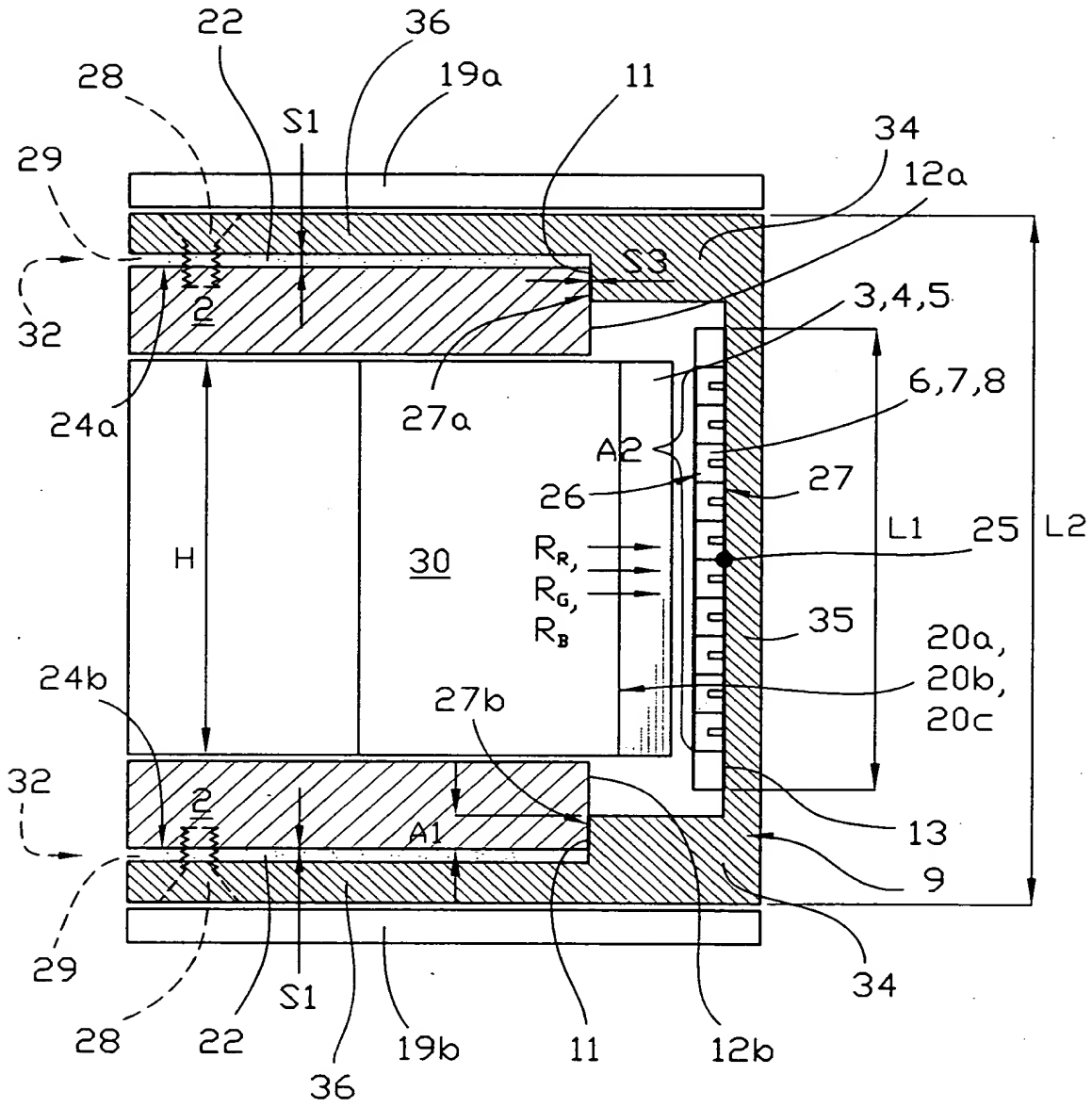


Fig.4